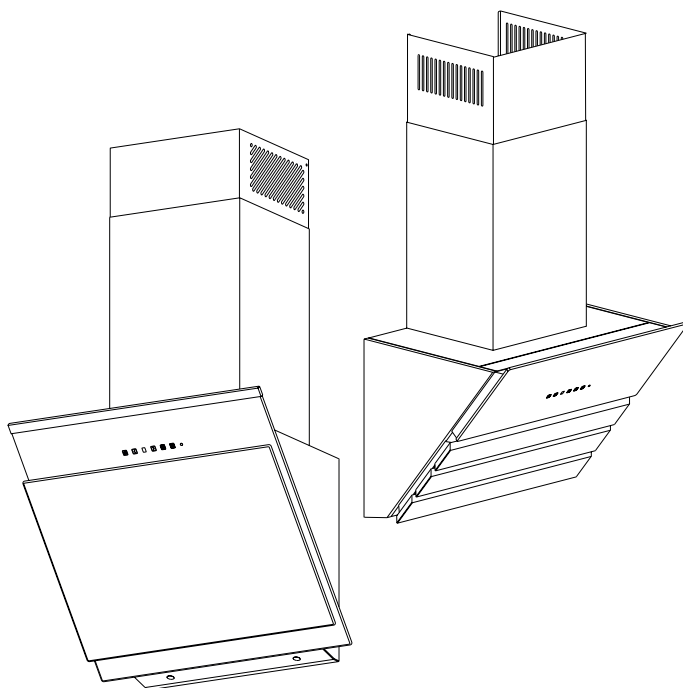


simfer

User Manual **GB**
Руководство по эксплуатации **RU**



DECORATIVE CHIMNEY HOOD ДЕКОРАТИВНЫЕ ВЫТЯЖКИ

Dear Customer,

Thank you very much for your preference for Simfer products. Our objective is to ensure that you enjoy this product, manufactured environmentally-friendly with a total sense of quality in a precise working environment at our modern facilities, most efficiently.

We recommend you to read the instruction manual carefully and keep it handy before you use this Simfer chimney hood so that it maintains its quality just like the first day you bought it and serves you most efficiently.

NOTE:

This Instruction Manual has been prepared for a variety of models. Some of the features specified in the Manual may not exist in your device.

These features are marked with *.

Our devices are designed for domestic use. They are not for professional use.

“PLEASE READ THE INSTRUCTIONS BEFORE YOU INSTALL OR USE THIS DEVICE.”

This product has been manufactured in an environmentally-friendly and modern plants without harming the nature.

“Conforms with the AEEE Regulations.”

CONTENTS

1. Safety Instructions	4
2. Introduction And Technical Drawing Of The Chimney Hood	7
3. Installation Of Chimney Hood	8
3.1. Location Of The Chimney Hood.....	8
3.2. Installation Of Mounting Bracket To The Chimney Hood.....	8
3.3. Installation Of Wall Mounting Bracket.....	8
3.4. Installation Of Inner Duct Mounting Bracket.....	9
4. Mounting The Chimney Hood On The Wall	9
4.1. Leveling The Chimney Hood.....	9
4.2. Mounting The Aluminum Pipe.....	9
5. Functions Of The Chimney Hood	10
5.1. Control Panel.....	10
5.2. Symbols Functions.....	10
5.3. Four Button Touch Control.....	11
5.4. Screenless Touch Control.....	12
6. Operating The Chimney Hood	12
6.1. In Ducted Use.....	13
6.2. Round Charcoal Filter.....	13
6.3. Use Of Charcoal Filter.....	13
6.4. Installation Of Charcoal Filter.....	13
6.5. Use Of Aluminum Cartridge Filter.....	13
7. Replacing The Bulb	14
8. Maintenance Of The Chimney Hood	14
9. If Chimney Hood Does Not Work	15
10. Environmentally-Friendly Disposal	16
11. Package Information	16

1. SAFETY INSTRUCTIONS

1. This product is designed for domestic use.
2. Product Voltage is 220-240 Volts 50 Hz.
3. Power cord of your product is fitted with grounded plug. This cord must be plugged into a grounding socket.
4. All electrical installation must be done by a qualified electrician.
5. Installation by unqualified persons may lead the product run with lower performance, be damaged or cause accidents.
6. Power supply cord should not be jammed or crushed. Power cord should not be close to hobs, etc, otherwise it may melt and cause fire.
7. Do not plug in the product into a socket before the installation is complete.
8. Make sure the mains switch is easily accessible in order to cut the power of the product in case of any danger.
9. Do not touch the bulbs of your product if used for a long period of time. The bulbs will be hot and may burn your hand.
10. Kitchen chimneys are designed for domestic use. If used for other purposes, it may lead to a failure and not be covered under the warranty.
11. Follow the authorized agencies' rules and regulations regarding letting out the air (This warning does not apply to usage with non-ducted chimney hoods).

- 12.** Food that may burst into flames should not be cooked under the device.
- 13.** Turn on the product after you place pots, pans, etc on the hobs. Otherwise excess heat may cause deformation of some parts of your product.
- 14.** Do not leave hot oil on the hobs. Pans with hot oil inside may cause self-ignition.
- 15.** When cooking i.e. deep frying, hot oil may burst into flames. Be careful on your curtains and cloths.
- 16.** Make sure you replace the filters at the recommended intervals. Filters not replaced on time carry fire risk due to increase of grease on them.
- 17.** Do not use non-fire-resistant materials instead of filters.
- 18.** Keep the potentially dangerous packaging materials away from children.
- 19.** Do not use your product without a filter, do not remove filters when the product is operating.
- 20.** In case of start of flames, cut off the power of the chimney fan and cooker.(Cut off the power by unplugging the device).
- 21.** Turn off the hobs before you remove pots, pans, etc.
- 22.** If the cleaning is not done periodically, your product may carry fire risk.
- 23.** Cut off the power supply before any maintenance work (Cut off the power by unplugging the device).

24. For duct-out chimney hoods, use pipes with a diameter of 150 mm or 120 mm. You should minimize the ducting distance with minimum bends.

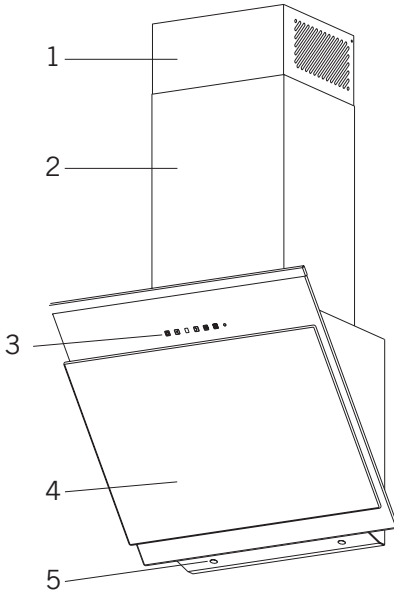
25. Make sure your children do not play with the product. Do not let young children operate the product.

26. If the power cord is damaged, the damaged cord should be replaced by the manufacturer or its service agent or similarly specialized personnel in order to avoid a dangerous situation.

27. In case of start of flames, cut off the power of the chimney fan and cooker and cover the flame. Do not use water to extinguish the fire.

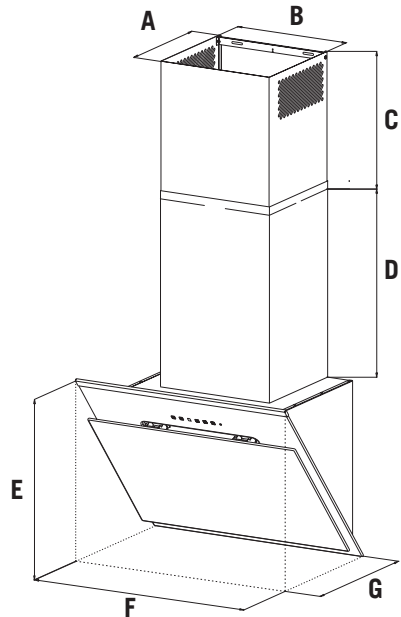
28. WARNING: Install “MAX. 6 A” fuse for the extractor fan.

2. INTRODUCTION AND TECHNICAL DRAWING OF THE CHIMNEY HOOD



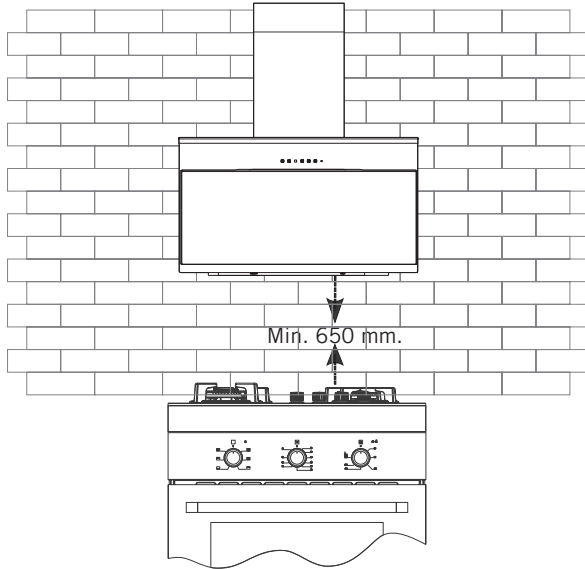
- 1. Inner duct
- 2. Outer duct
- 3. Control panel
- 4. Filter
- 5. Lighting

A	285 mm
B	308 mm
C	350 mm
D	400 mm
E	472 mm
F	596-896 mm
G	460 mm



3. INSTALLATION OF CHIMNEY HOOD

3.1. Location Of The Chimney Hood

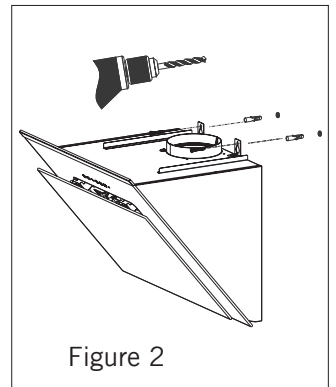
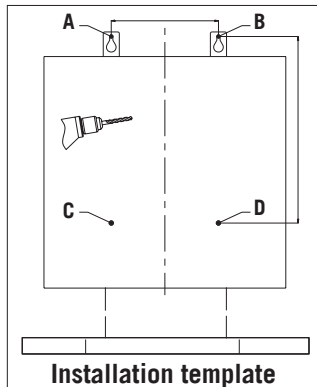
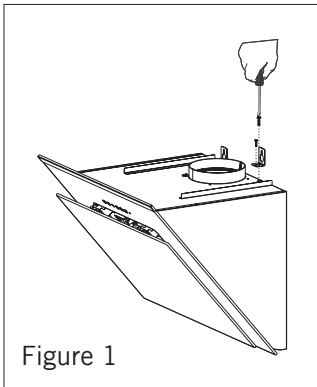


3.2. Installation Of Mounting Bracket To The Chimney Hood

Fix the 2 (two) Mounting brackets among the installation accessories to the chimney hood with one 1 screw nut as shown in **Figure 1**. Make sure mounting brackets are inserted in motor box.

3.3. Installation Of Wall Mounting Bracket

Drywall (8mm) anchors are nailed into the holes drilled according to installation template (A,B,C,D). They are fixed into the wall with 2 brackets as shown in **Figure 2**.



3.4. Installation Of Inner Duct Mounting Bracket

2 fixing holes are drilled on the wall with $\varnothing 6$ mm electric drill at a suitable height and place to fix the inner duct hanger plate onto the wall. 6mm drywall anchors are nailed into those holes and inner duct mounting brackets are pinned down. At the last step of chimney hood installation, the inner duct is screwed on the inner duct mounting brackets.

4. MOUNTING THE CHIMNEY HOOD ON THE WALL

Lift the chimney hood body and fix the hanger plates onto the wall anchors as shown in **Figure 3**.

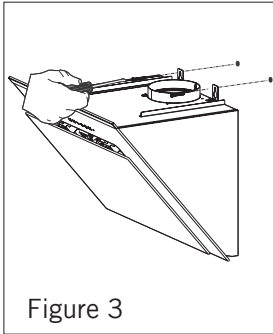


Figure 3

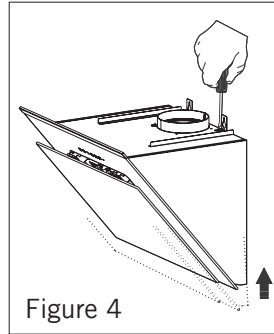


Figure 4

4.1. Leveling The Chimney Hood

If the chimney hood is inclined on one side, the chimney hood can be leveled with the adjustment screws as shown in **Figure 4**. Once the balancing is complete, the screws shown in **Figure 5** must be fixed tightly. After this, fix the body with one screw through the hole on the body.

4.2. Mounting The Aluminum Pipe

Place the aluminum pipe on the plastic duct. Place the other end of the pipe into the air outlet in the kitchen. (**Figure 6**)

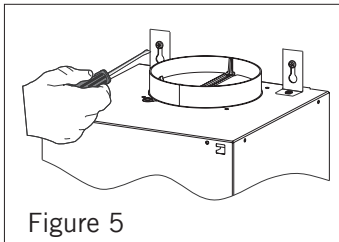


Figure 5

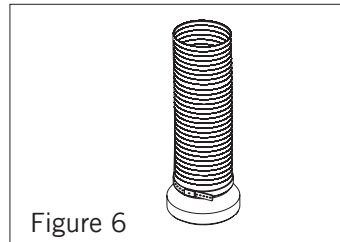


Figure 6

Twists and bends on the aluminum pipe may cause minimizing the air suction so avoid unnecessary bends and twists as much as possible. **(Figure 7-8)** Place the inner duct and outer duct carefully on the product. Fix the inner duct to inner duct connection plate with 2 screws. **(Figure 9)**

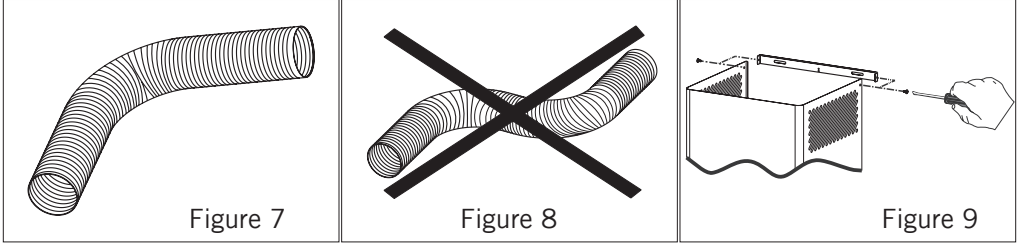


Figure 7

Figure 8

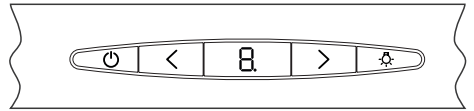
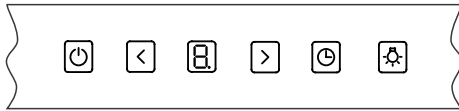
Figure 9

5. FUNCTIONS OF THE CHIMNEY HOOD







5.1. Control Panel

Digital Control: Touch the symbols on the keys. (On/Off function and timer are on the same key; if pressed for 1 sec on-off function will operate. If pressed for 3 sec. 15 minutes timer will operate.

Touch Control: Touch the symbols on the glass surface. If Press a symbol longer (more 3 sec) may operate various functions.



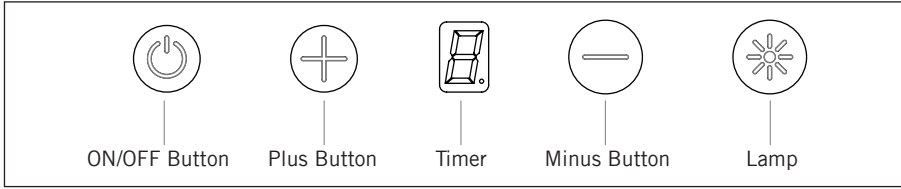
5.2. Symbols Functions

	Switches on and off the motor. (Except for the lighting)		Increases the speed when the motor is running.
	Decreases the speed when the motor is running.		If pressed this symbol, the motor turns itself off 15 minutes later.
	Display		Only switches on and off the lighting system.

Note: When the product operates for a certain time, the aluminum filters get dirty and the digital display shows “C” Clean sign. This means the filters should be cleaned. Press the speed reduction key for 5 secs in order to delete “C” sign from the display.

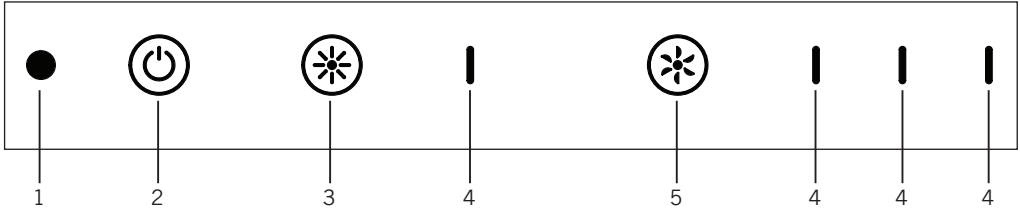
CAUTION: When the timer key is pressed for 3 secs digital display starts to change. Air-circulation system of the chimney hood becomes active. The chimney hood runs for 10 minutes in the lowest speed. Then the system automatically shuts down.

5.3 Four Button Touch Control*



- **ON&OFF:** Starts the motor.
- **Speed +:** Increase the speed of the motor. Max: 3 speed.
- **Speed -:** Decrease the speed of the motor. Max: 1 speed.
- **Lamp:** Turns the lamp on. When the lamp is on, the dot segment is viewed on the screen.
- **Timer:** If the lamp button is pressed for 3 seconds, the device starts flashing in respective speed. After 15 minutes the device is turned off.
- **Air Cleaning:** When the air cleaning button is pressed on the Remote Control, the function is initiated. The motor is operated for 10 minutes in 1 speed, then switches to standby for 50 minutes. While this function is active, the screen segments start rotating. Then the system shuts down automatically. The rotation is only for 24 hours.
- **Filter Warning:** At the end of 100 hours of operation, the 'C' warning is viewed on the screen. This warning can be deleted by pressing the speed - button for 5 seconds, the 'E' is viewed on the screen, the warning is deleted and the timer is reset. This warning is viewed for 2 seconds when on/off button is pressed. During rotation changes this warning is not displayed.
- **Automatic Shutdown:** For safety purposes, the circuit board of the motor is programmed to provide maximum of 5 hours lighting and maximum 10 hours of operation. When the air cleaning function is in effect, the motor shutdown feature is turned off.

5.4. Screenless Touch Control*



1. Receiver
2. ON / OFF Button
3. Light

4. LED
5. Speed Adjustment Button

- **ON&OFF Button:** Starts the engine.
- **Timer:** To activate, press and hold the ON / OFF for 3 seconds. Operating duration is 15 minutes at the adjusted cycle. The appliance shuts down at the end of this duration. During the operation, the activated engine LED flashes.
- **Air Cleaning:** To activate the function, press the air cleaning button on the remote control. On cycle 1, the engine operates for 10 minutes and then stays on stand by mode for 50 minutes. This cycle continues for 24 hours. When this function is active, the engine ON / OFF button LED flashes. Then the system automatically shuts down. The cycle runs only for 24 hours.
- **Light ON / OFF Button:** Turns the light on and off. When the light is on, the first LED is activated.
- **Cycle Adjustment Button:** It increases the cycle speed while the engine is in operating state. If pressed when the cycle is on the top speed, the engine goes back to cycle 1.

Cycle LEDs:

2nd LED: Activated when the engine operates at cycle 1.

3rd LED: Activated when the engine operates at cycle 2.

4th LED: Activated when the engine operates at cycle 3.

6. OPERATING THE CHIMNEY HOOD

Chimney hood is used in ducted and non-ducted kitchens.

6.1. In Ducted Use

In ducted use, extractor fan should be connected to an air outlet to send the air out. In order to use your chimney hood efficiently, make sure length of the pipe system between the chimney hood and the air outlet should be short. Your product has been manufactured suitable for ducted and non-ducted use.

6.2. Round Charcoal Filter

In kitchens with no duct, a round charcoal filter should be reintroduced the clean air into the kitchen. You can obtain the round filter from your service or dealer.

6.3. Use Of Charcoal Filter

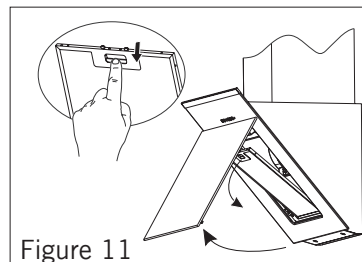
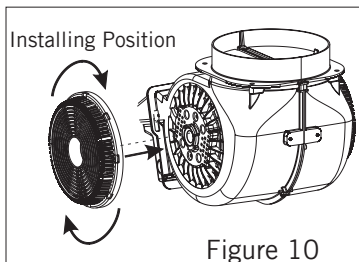
- Our products allow the installation of charcoal filter.
- Regardless of use of charcoal filters or not, grease filters should be installed on the product. Do not use your product without grease filter.
- Use of charcoal filter is as follows.
- Cut off the device power before replacing charcoal filter.
- Charcoal filter is used in the kitchens with no duct therefore should be replaced in every 3-5 months depending on the frequency of use.
- Charcoal filter should never be washed.

6.4. Installation Of Charcoal Filter

- Charcoal filters are used in the kitchens with no duct.
- Charcoal filters are installed onto both sides of the fan as shown in **Figure 10** by turning 10 degrees clock-wise.
- When uninstalling, reverse the same procedure.

6.5. Use Of Aluminum Cartridge Filter

Aluminum cartridge filter holds dust and grease in the air. Chimney hood should never be used without aluminum cartridge filter. (**Figure 11**)



7. REPLACING THE BULB

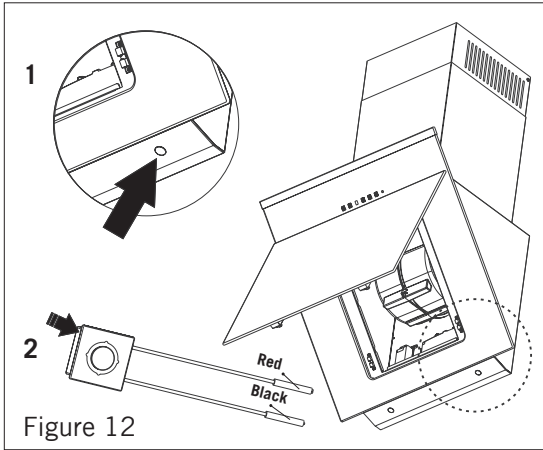


Figure 12

Always switch off the electrical supply before carrying out any operation

LED bulb does not operate is possible to remove as shown in **Figure 12**

A new bulb to be supplied from service points is replaced with the same reoperation.

Cables are designed with sockets. The plug in should be made according to previous connection.

Note: Remove the holder on the LED bulb as shown in **Figure 12.2**. Put the new LED bulb on the holder housing of the LED bulb you removed as shown in **Figure 12.1**.

8. MAINTENANCE OF THE CHIMNEY HOOD

- Device should be unplugged or switch should be turned off before cleaning and maintenance procedures.
- Metal filter should be cleaned once a month with hot soapy water or in the dishwasher, if possible. (60 °C)
- Remove the aluminum cartridge filter by pressing on the spring catches on the side. Do not refit before drying after wash.
- Outer surface of the extractor hood should be wiped with a damp cloth soaked with soapy water.
- Make sure electronic parts do not contact with water or similar materials.
- For inox products, using inox cleaning and maintenance products available in the market will provide longer usage life for your device.
- Aluminum filters can be washed in dishwasher. After several washes, aluminum filters may change colour. This is normal and filters do not need to be replaced.

WARNING: When used with devices which use fuel (heaters working with gas, diesel fuel, coal or firewood, water heaters, etc) and the air in the environment; should be used cautiously. The chimney hood sending the air out in the environment may affect the burning adversely.

This warning is not applicable to non-ducted use.

Efficient Use Of Chimney Hood;

- When installing the chimney hood to the air duct, use 150/120 mm diameter pipes and use bends as minimum as possible.
- Be ware of cleaning periods of metal filters and replacing times of charcoal filters.
- When dense suction power is not required, use the product in medium setting.
- For right ventilation, the windows in the kitchen leading to the outside should be kept closed.

9. IF CHIMNEY HOOD DOES NOT WORK;

Before contacting the service, make sure the product is plugged and the fuse in the electrical installation is working. Do not do anything that may harm the product.

Service And Spare Parts

Have one of our authorized services install your device free of charge.

You can supply spare parts of your device from your dealer or authorized services. The package includes a list of authorized services with the product.

When you contact your service or dealer to ask for any spare parts, notify them of product model name shown in the product label. When you remove the aluminum cartridge filter, you will see the product label.

Before contacting your service, check your chimney hood against the table below. If problem persists, contact your dealer or authorized service point.

	Check electricity connection (mains voltage should be 220-240 V, Chimney hood should be connected to grounding socket.)	Check motor switch (Motor switch should be on.)	Check bulb switch (Bulb switch should be on.)	Check aluminum filter (Aluminum cartridge filter should be washed once a month in normal use.)	Check bulbs (Bulbs should be in working condition.)	Check air outlet shaft (Air outlet shaft should be unblocked.)	Check charcoal filter (Charcoal filters should be replaced quarterly in normal use.)
Chimney Hood does not work	✓	✓					
Light bulb is not working	✓		✓		✓		
Chimney hood air suction is poor				✓		✓	✓
Do not send air out (in non-ducted cases)				✓			✓

10. ENVIRONMENTALLY-FRIENDLY DISPOSAL



Dispose of packaging in an environmentally-friendly manner.

This appliance is labelled in accordance with European Directive 2012/19/EU concerning used electrical and electronic appliances (waste electrical and electronic equipment - WEEE). The guideline determines the framework for the return and recycling of used appliances as applicable throughout to the EU.

11. PACKAGE INFORMATION

Packaging materials of the product are manufactured from recyclable materials in accordance with our National Environment Regulations. Do not dispose of the packaging materials together with the domestic or other wastes. Take them to the packaging material collection points designated by the local authorities.

Уважаемые Покупатели,

Мы благодарим Вас за Ваш выбор продукции Simfer. Наша цель состоит в обеспечении высокой производительности нашей продукции, произведенной на современных заводах в надлежащих рабочих условиях, без ущерба для природы и в соответствии со всеми требованиями качества.

Для того, чтобы приобретенная Вами вытяжка фирмы Simfer прослужила Вам в течение долгого времени с той же высокой эффективностью работы, что и в первый день ее установки, мы рекомендуем внимательно прочесть руководство по эксплуатации прежде, чем установить вытяжку, и сохранить его для дальнейшего использования.

ПРИМЕЧАНИЕ:

Данное Руководство по эксплуатации применимо для различных моделей оборудования. Ваше оборудование может не иметь некоторых характеристик, указанных в Руководстве по эксплуатации.

Такие характеристики примечены знаком *.

Данное оборудование предназначено для использования дома. Оборудование не подлежит использованию в коммерческих предприятиях.

**“ ПЕРЕД УСТАНОВКОЙ И ИСПОЛЬЗОВАНИЕМ ДАННОГО
ОБОРУДОВАНИЯ ПРОЧТИТЕ ВСЕ ИНСТРУКЦИИ”.**

Данное оборудование произведено на современном заводе без нанесения ущерба окружающей среде.

“Соответствует Нормативу АЕЕЕ”

СОДЕРЖАНИЕ

1. Инструкции По Технике Безопасности	19
2. Описание И Технический Рисунок Вытяжки	23
3. Монтаж Вытяжки	24
3.1. Расположение Вытяжки.....	24
3.2. Монтаж Крепежных Деталей Вытяжки.....	24
3.3. Монтаж Крепежных Деталей На Стену.....	24
3.4. Монтаж Крепежных Деталей Внутренней Трубы.....	25
4. Монтаж Вытяжки На Стену	25
4.1. Установка Вытяжки Параллельно Земле.....	25
4.2. Установка Алюминиевой Трубы.....	25
5. Функции Вытяжки	26
5.1. Контрольная Панель И Функции Вытяжки.....	26
5.2. Знак Функции.....	26
5.3. Управление С Помощью Четырех Кнопок.....	27
5.4. Сенсорный пульт без экрана.....	28
6. Использование Вытяжки	29
6.1. Использование С Трубой Вытяжки.....	29
6.2. Круглый Угольный Фильтр.....	29
6.3. Применение Угольного Фильтра.....	29
6.4. Установка Угольного Фильтра.....	29
6.5. Применение Алюминиевого Рамочного Фильтра.....	30
7. Замена Лампы	30
8. Техническое Обслуживание И Очистка	31
9. Если Вытяжка Не Работает	32
10. Утилизация С Учетом Экологических Требований	33
11. Информация Об Упаковке	33

1. ИНСТРУКЦИИ ПО ТЕХНИКЕ БЕЗОПАСНОСТИ

- 1.** Данное оборудование предназначено для использования дома.
- 2.** Рабочее напряжение и частота вытяжки 220-240В, 50Гц.
- 3.** Сетевой кабель оборудования заземлен. Сетевой кабель должен подсоединяться только к заземленной розетке.
- 4.** Все электрические установки должны выполняться только квалифицированным электриком.
- 5.** Установка оборудования неквалифицированными лицами может привести к низкой производительности оборудования, его повреждению и возникновению несчастных случаев.
- 6.** При установке оборудования необходимо следить затем, чтобы шнур питания не был зажат или прижат. Сетевой шнур не должен быть расположен вблизи плиты и других подобных приборов во избежание его нагревания и возникновения пожара.
- 7.** Нельзя подсоединять шнур питания к розетке до тех пор, пока не будет выполнен монтаж оборудования.
- 8.** Необходимо обеспечить беспрепятственный доступ к розетке, чтобы незамедлительно отключить оборудование от сети электрического питания при возникновении какой-либо опасной ситуации.

9. Если лампы оборудования горели в течение долго времени, не прикасайтесь к ним. Вы можете получить ожог при прикосновении к раскаленной лампе.

10. Кухонные вытяжки предназначены для использования дома при приготовлении стандартных видов блюд. Использование оборудования в иных целях создает риск его поломки, что также отменяет действие гарантии.

11. В отношении вывода выходной трубы действуют нормативы соответствующих местных органов. (Не применимо в отношении вытяжек без труб)

12. Приготовление горящих блюд под вытяжкой не допускается.

13. Оборудование необходимо включать, разместив сначала на плите кастрюлю, сковородку или иную посуду. В противном случае, высокая температура может привести к деформированию некоторых деталей оборудования.

14. Прежде чем убрать с плиты кастрюлю, сковородку или иную посуду, выключите плиту.

15. Не оставляйте на плите раскаленное масло. Раскаленное масло в посуде может воспламениться.

16. При приготовлении блюд на раскаленном масле, будьте внимательны, так как масло может воспламениться, что может привести к возгоранию находящихся рядом штор или иных предметов.

17. Следите за тем, чтобы фильтры сменялись в течение указанных сроков. Не вовремя замененные фильтры могут создать риск возникновения пожара из-за накопившегося в них жира.

18. Не используйте вместо фильтра овкакие либоины е воспламеняющиеся фильтрующие материалы.

19. Уберите упаковочные материалы подальше от детей.

20. Оборудование не должно работать без фильтров; при работе оборудования вынимать фильтры не допускается.

21. В случае возникновения возгорания, отключите вытяжку и плиту от сети электропитания. (Отключите электропитание, выдернув шнур питания из розетки.) Накройте плямы влажной тряпкой или влажным полотенцем.

22. Ни в коем случае не используйте воду, чтобы погасить огонь.

23. Если периодически не чистить оборудование, это может привести к его возгоранию.

24. Перед чисткой оборудования, отключите его от сети электропитания. (Отключите электропитание, выдернув шнур питания из розетки.)

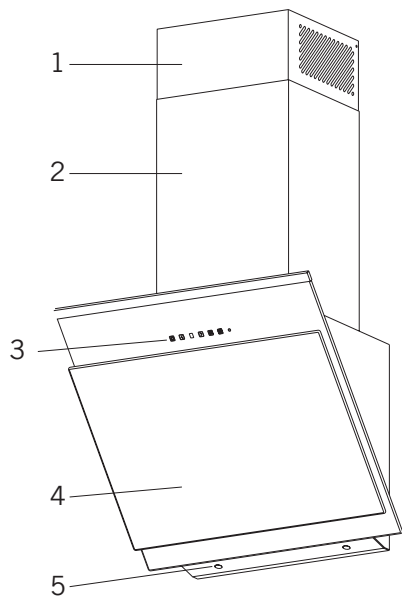
25. При подсоединении трубы к оборудованию используйте трубы диаметром 150 мм или 120 мм. Подсоединяемая труба должна быть как можно короче и должна иметь как можно меньше изгибов.

26. Следите за тем, чтобы дети не играли с оборудованием. Не позволяйте маленьким детям пользоваться оборудованием.

27. В случае повреждения шнура питания, во избежание опасной ситуации, шнур должен быть заменен на новый производителем оборудования, сервисным агентством или персоналом с надлежащей квалификацией.

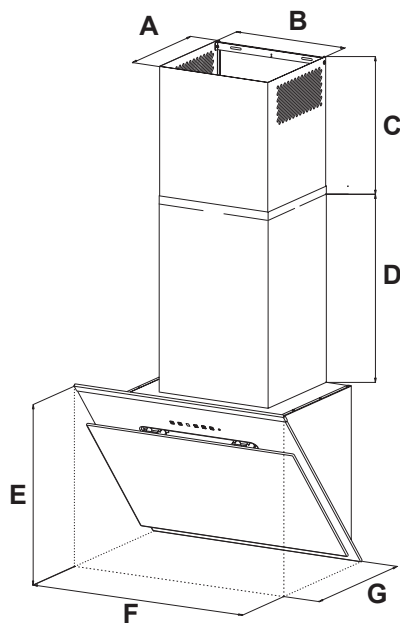
28. В целях безопасности в отношении вытяжек используйте страховку "MAX 6 A".

2. ОПИСАНИЕ И ТЕХНИЧЕСКИЙ РИСУНОК ВЫТЯЖКИ



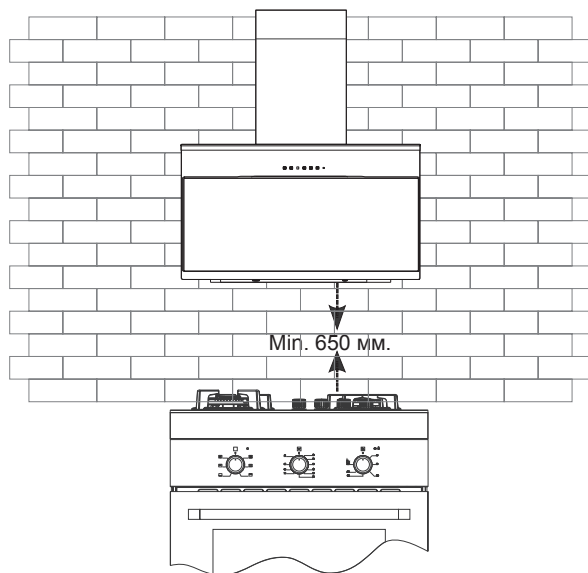
- 1. Внутренняя труба
- 2. Внешняя труба
- 3. Контрольная панель
- 4. Фильтр
- 5. Подсветка

A	285 мм
B	308 мм
C	350 мм
D	400 мм
E	472 мм
F	596-896 мм
G	460 мм



3. МОНТАЖ ВЫТЯЖКИ

3.1. Расположение Вытяжки



3.2. Монтаж Крепежных Деталей Вытяжки

Возьмите 2 (две) крепежные детали, которые входят в комплект монтажных аксессуаров, и, как показано на **Рисунке 1**, прикрутите их с помощью 1 зажимного болта. Убедитесь в том, что крепежные детали пружинены в соответствующие гнезда.

3.3. Монтаж Крепежных Деталей На Стену

В отверстия (A,B,C,D), указанные в шаблоне монтажа, вбиваются дюбели диаметром 8 мм. Крепежные детали прикрепляются к стене с помощью 2 болтов, как это показано на **Рисунке 2**.

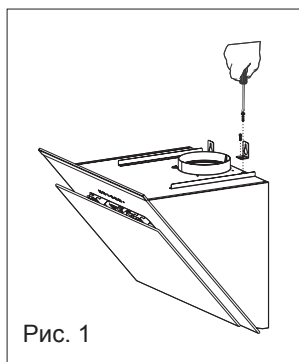


Рис. 1

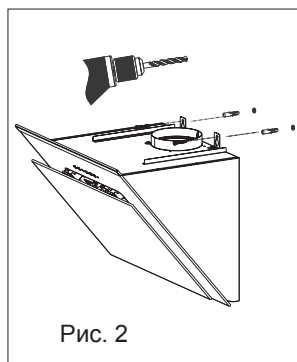
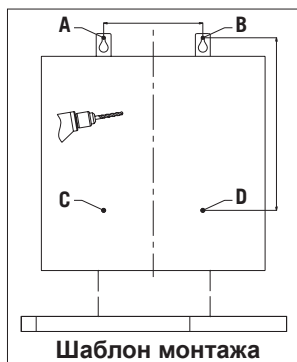


Рис. 2

3.4. Монтаж Крепежных Деталей Внутренней Трубы

Для монтажа крепежных деталей внутренней трубы на стену, на соответствующей высоте и в соответствующих точках необходимо просверлить два отверстия с помощью сверла $\varnothing 6$ мм. В данные отверстия вбиваются дюбели диаметром 6мм, а затем на них устанавливаются крепежные детали. После установки вытяжки, с помощью соответствующих крепежных деталей устанавливается внутренняя труба.

4. МОНТАЖ ВЫТЯЖКИ НА СТЕНУ

Поднимите корпус вытяжки и прикрутите крепежные детали к дюбелям на стене, как это показано на **Рисунке 3**.

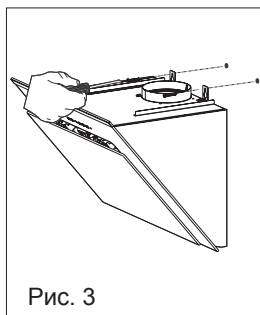


Рис. 3

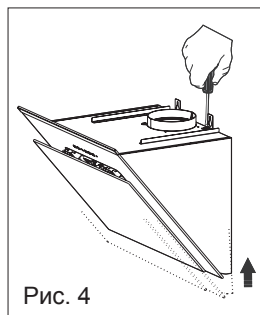


Рис. 4

4.1. Установка Вытяжки Параллельно Земле

Если положение вытяжки не параллельно земле, то с помощью винтов, указанных на **Рисунке 4**, исправьте положение вытяжки так, чтобы она стояла параллельно земле. Выровняв вытяжку, крепко закрутите винты, указанные на **Рисунке 5**. После того, как вытяжка будет установлена, зафиксируйте корпус вытяжки, прикрутив два болта в отверстия, так чтобы вытяжка не двигалась и была устойчива.

4.2. Установка Алюминиевой Трубы

Проденьте гибкую алюминиевую трубу на пластиковую трубу. Прикрепите другой конец трубы в соответствующее отверстие для трубы в кухне. (**Рисунок 6**)

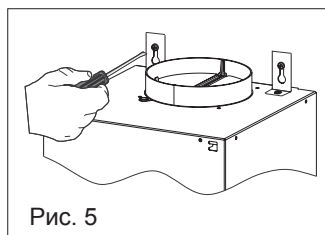


Рис. 5

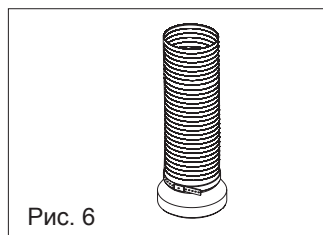


Рис. 6

Так как сгибы в алюминиевой трубе могут уменьшить мощность всасывания воздуха, необходимо обеспечить как можно меньшее количество таких сгибов и углов. **(Рисунок 7- 8)** Внимательно прикрепите внешнюю и внутреннюю трубу к вытяжке. Прикрепите внутреннюю трубу с помощью двух болтов к крепежным деталям. **(Рисунок 9)**

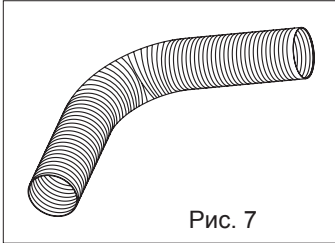


Рис. 7

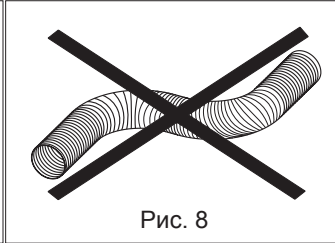


Рис. 8

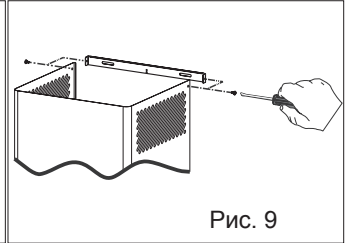


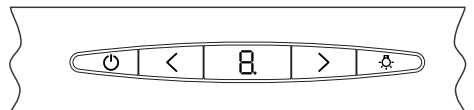
Рис. 9

5. ФУНКЦИИ ВЫТЯЖКИ

5.1. Контрольная панель и функции вытяжки

Сенсорное управление: Необходимо лишь прикоснуться к знакам на стеклянной поверхности. (При подолжительном нажатии на знаки могут включиться иные функции)

Цифровое управление: Необходимо лишь нажать на знаки на соответствующих кнопках. (Одна и та же кнопка выполняет функцию включения/выключения двигателя вытяжки и настройки времени; при нажатии в течение 1 секунды осуществляется переход на функцию включения/выключения. При нажатии и удержании в течении 3 секунд, включится настройка времени на 15 минут.



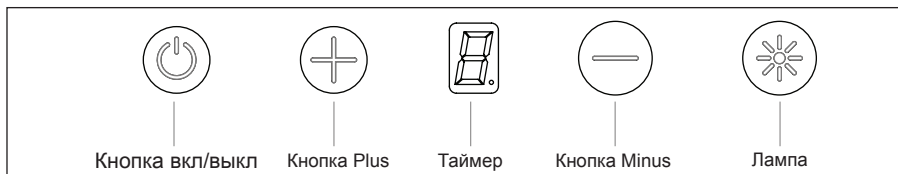
5.2. Знак Функции

	Включение / выключение двигателя.		Увеличение оборотов при работе двигателя.
	Уменьшение оборотов при работе двигателя.		При нажатии на данный знак двигатель автоматически выключается через 15 минут.
	Определение состояния.		Включение и выключение только системы подсветки.

Примечание: После определенного срока эксплуатации оборудования загрязняется алюминиевый фильтр, и на цифровой панели появляется знак “С” (Clean). Это означает, что фильтры необходимо очистить. Чтобы выключить знак “С”, необходимо нажать на кнопку уменьшения оборотов и удерживать в течение 5 секунд.

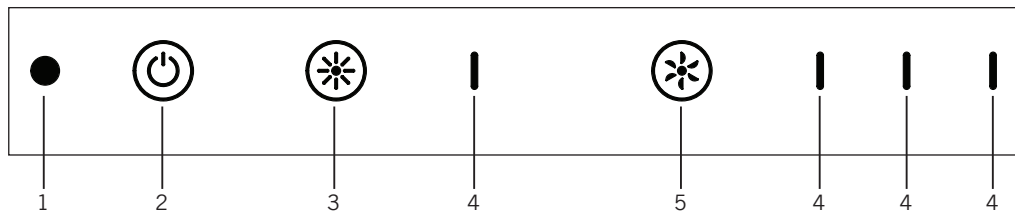
ВНИМАНИЕ: При нажатии в течение 3 секунд на кнопку таймера (знак), на цифровом дисплее появится вращающийся знак. Это означает то, что была активизирована система вентиляции вытяжки. Вытяжка будет работать в течение 1 дня по 10 минут в час на самых низких оборотах. Затем система автоматически выключится.

5.3. Управление С Помощью Четырех Кнопок*



- **ВКЛ/ВЫКЛ:** Запустить мотор.
- **Скорость +:** Увеличить скорость мотора. Макс.3 скорости.
- **Скорость -:** Уменьшить скорость мотора. Макс.1 скорость.
- **Лампа:** Включить лампу. При включенной лампе на экране отображается точка.
- **Таймер:** При нажатии кнопки лампы в течение 3 секунд устройство начнет мигать с соответствующей скоростью. Через 15 минут устройство выключится.
- **Очистка воздуха:** При нажатии кнопки очистки воздуха на пульте дис- танционного управления функция запустится. Мотор работает в течение 10 минут с 1 скоростью, затем переключается в режим ожидания на 50 минут. Пока эта функция активна, сегменты на экране начина- ют вращаться. Затем система автоматически выключается. Вращение происходит только в течение 24 часов.
- **Предупреждение о состоянии фильтра:** По прошествии 100 часов работы на экране отобразится предупреждение «С». Это предупре- ждение можно убрать, нажав кнопку скорости в течение 5 секунд, на экране отобразится «Е», предупреждение исчезнет, и сбросится тай- мер. Данное предупреждение отображается в течение 2 секунд при нажатии кнопки включения / выключения. При изменении вращения данное предупреждение не отображается.
- **Автоматическое отключение:** В целях безопасности монтажная плата мотора запрограммирована таким образом, чтобы обеспечить максимальное 5 часовое освещение и 10 часов непрерывной работы. Когда функция очистки воздуха активна, функция выключения мотора отключается.

5.4. Сенсорный пульт без экрана*



1. Приемник
2. Кнопка ВКЛ/ВЫКЛ
3. Лампа

4. Светодиод
5. Кнопка для настройки оборота

- **Кнопка ВКЛ/ВЫКЛ (ON&OFF):** Включает двигатель.
- **Таймер** Двигатель включается при нажатии кнопки ВКЛ / ВЫКЛ и удерживании в течение 3 секунд. Продукт будет работать в течение 15 минут при текущих оборотах. Продукт выключается по истечении этого времени. Во время работы светодиод активного двигателя мигает.
- **Очистка воздуха** Эта функция активируется при нажатии кнопки очистки воздуха на пульте дистанционного управления. Двигатель работает в течение 10 минут на 1-м обороте, затем остается в режиме ожидания в течение 50 минут. Этот цикл продолжается в течение 24 часов. Когда эта функция активна, будет мигать только светодиод кнопки включения/выключения двигателя. Затем система автоматически отключается. Цикл действует только в течение 24 часов.
- **Кнопка ВКЛ/ВЫКЛ света:** Включает и выключает лампу. Когда лампа горит, загорается светодиод в первом ряду.
- **Кнопка для настройки оборотов в минуту:** Увеличивает обороты, когда двигатель работает. При нажатии, когда двигатель находится на самом высоком обороте, двигатель возвращается к первому уровню оборота.

Светодиоды оборота:

2. Светодиод: Загорается, когда двигатель работает на 1-ом уровне оборота.

3. Светодиод: Загорается, когда двигатель работает на 2-ом уровне оборота.

4. Светодиод: Загорается, когда двигатель работает на 3-ом уровне оборота.

6. ИСПОЛЬЗОВАНИЕ ВЫТЯЖКИ

Вытяжка может использоваться в кухнях с трубой и без трубы вытяжки.

6.1. Использование С Трубой Вытяжки

При использовании с трубой вытяжки, необходимо подсоединить вытяжку к трубе, которая будет выводить воздух наружу. Для того чтобы получить хорошую производительность вытяжки, необходимо обеспечить то, чтобы система труб была как можно короче. Оборудование пригодно для использования как с, так и без трубы вытяжки.

6.2. Круглый Угольный Фильтр

При применении без трубы вытяжки, необходимо использовать круглые угольные фильтры для очистки воздуха и ее повторной подачи. Вы можете приобрести круглый угольный фильтр в сервисном центре или у продавца оборудования.

6.3. Применение Угольного Фильтра

- Оборудование может быть использовано с угольными фильтрами.
- Не зависимо от того, применяются или не применяются ли угольные фильтры, в оборудовании всегда должны быть установлены жировые фильтры. Не используйте оборудование без жировых фильтров.
- Инструкции по использованию угольных фильтров указаны ниже.
- Перед тем, как заменить угольный фильтр, отключите оборудование от электроэнергии.
- Так как угольные фильтры используются в кухнях без трубы вытяжки, в зависимости от частоты использования вытяжки, их необходимо менять каждые 3-5 месяцев.
- Угольный фильтр ни в коем случае нельзя мыть.

6.4. Установка Угольного Фильтра

- Угольные фильтры используются в кухнях без трубы вытяжки.
- Угольные фильтры устанавливаются с обеих сторон вентилятора и, как это показано на **Рисунке 10**, фиксируются там путем поворота приблизительно на 10 градусов по часовой стрелке.
- Для извлечения фильтра необходимо выполнить все в обратном порядке.

6.5. Применение Алюминиевого Рамочного Фильтра

Алюминиевый рамочный фильтр задерживает пыль и жир. Вытяжка ни в коем случае не должна использоваться без алюминиевого рамочного фильтра. (Рисунок 11)

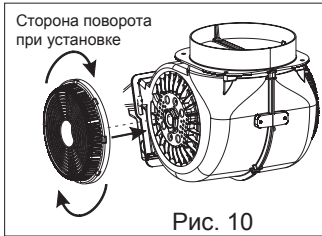


Рис. 10

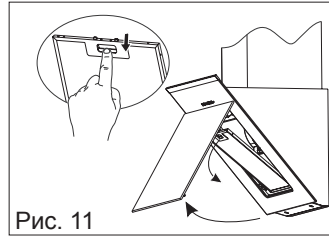


Рис. 11

7. ЗАМЕНА ЛАМПЫ

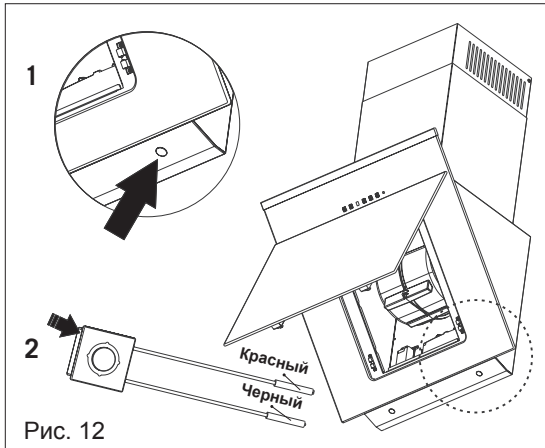


Рис. 12

Сначала отключите вытяжку от сети электропитания.

Нерабочие светодиодные лампы извлекаются так, как это показано на рисунке.

(См. Рисунок 12)

Извлеченные светодиодные лампы необходимо аккуратно вынуть из вытяжки.

Извлеченную светодиодную лампу необходимо заменить идентичной лампой, приобретенной в точках сервисного обслуживания.

Шнур питания разработан для включения с использованием штепсельной розетки. Соединение выполняется соответствующим образом.

Рабочее или нерабочее состояние ламп проверяется путем нажатия на кнопку включения/выключения подсветки.

Примечание: Извлеките фольгу на клейкой ленте светодиодной лампы так, как это показано на **Рисунке 12.2**. На место извлеченной светодиодной лампы, **Рисунок 12.1**, прилейте новую светодиодную лампу.

8. ТЕХНИЧЕСКОЕ ОБСЛУЖИВАНИЕ И ОЧИСТКА

- Перед техническим обслуживанием и чисткой вытяжки необходимо выдернуть шнур питания из электросети или нажать на выключатель.
- Металлический фильтр необходимо мыть один раз в месяц мыльной водой или, при возможности, в посудомоечной машине. (60 °С)
- Извлеките алюминиевый рамочный фильтр, нажав на пружинные защелки, которые находятся на трех сторонах фильтра. После очистки фильтра не устанавливайте на место, предварительно не высушив его.
- Внешнюю поверхность вытяжки необходимо протирать влажной тряпкой, смоченной в мыльной воде или спирте.
- Следите за тем, чтобы электрические детали не соприкасались в водой или иными подобными веществами.
- Для чистки оборудования Inox вы можете приобрести специальные чистящие средства inox, что обеспечит более длительный срок службы вашего оборудования.
- Алюминиевые фильтры можно мыть в посудомоечной машине. После нескольких разов мытья цвет алюминиевого фильтра может измениться. Это нормальное явление и не требует замены фильтра.

ПРЕДУПРЕЖДЕНИЕ: Будьте осторожны при использовании вытяжки в помещении, где также работает иное оборудование, использующее воздух и горючее (обогреватели, водонагреватели и иное оборудование, работающее на газе, дизельном топливе, угле или древесине). Потому как вытяжка, всасывая и выводя воздух наружу, может отрицательно повлиять на нагревание. Данное предупреждение не относится к вытяжкам без трубы.

Для эффективной работы вытяжки;

- При установке трубы вытяжки, используйте трубу диаметром 150/120мм, а также старайтесь обеспечить то, чтобы было как можно меньше изгибов трубы.
- Внимательно следите за сроками очистки металлических фильтров и замены угольных фильтров.
- Если не требуется большая мощность всасывания, используйте оборудование на средней мощности.
- Для правильного вентрирования необходимо, чтобы окна кухни были закрыты.

9. ЕСЛИ ВЫТЯЖКА НЕ РАБОТАЕТ;

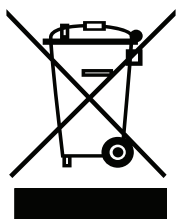
Прежде чем связаться с сервисным центром проверьте, подключен ли шнур питания к электросети, а также состояние электрической сети в помещении; не предпринимайте никаких действий, которые могут повредить оборудование.

Сервисное обслуживание и запасные детали

- Вы можете осуществить монтаж оборудования бесплатно, обратившись в сервисный центр.
- Запасные детали оборудования вы можете приобрести у продавца или уполномоченного сервисного центра.
- В упаковке вытяжки вы найдете список уполномоченных сервисных центров.
- Для покупки запасных деталей у вашего продавца или в сервисном центре, укажите модель и название оборудования, указанного на этикетке. После извлечения алюминиевого рамочного фильтра, вы увидите этикетку оборудования.
- Прежде чем обратиться в сервисный центр, осуществите проверку вытяжки согласно таблице.
- Если неисправность не устранена, обратитесь к продавцу или в уполномоченный сервисный центр.

	Проверьте электрическое соединение (напряжение сети должно быть 220-240 В, вытяжку необходимо подсоединять к заземленной розетке.)	Проверьте выключатель двигателя (Выключатель двигателя должен быть в положении Вкл.)	Проверьте выключатель лампы. (Выключатель лампы должен быть в положении Вкл.)	Проверьте алюминиевый фильтр. (При нормальных условиях алюминиевый рамочный фильтр необходимо мыть один раз в месяц.)	Проверьте лампочки. (Лампочки должны быть целыми.)	Проверьте трубу отвода воздуха. (Труба отвода воздуха должна быть открытой.)	Проверьте угольный фильтр. (В вытяжках, работающих с угольным фильтром, угольный фильтр должен заменяться один раз в три месяца.)
Вытяжка не работает	✓	✓					
Подсветка не работает	✓		✓		✓		
Отвод воздуха очень слабый				✓		✓	✓
Воздух не выводится (вытяжки без труб)				✓			✓

10. УТИЛИЗАЦИЯ С УЧЕТОМ ЭКОЛОГИЧЕСКИХ ТРЕБОВАНИЙ



Утилизируйте упаковку с учетом требований по охране окружающей среды.

Данное устройство маркировано в соответствии с требованиями Директивы ЕС 2012/19/EU по утилизации использованных электрических и электронных устройств (утилизация электрического и электронного оборудования -WEEE). Здесь указаны требования по возврату и переработке использованных устройств, применимые во всех странах Европейского Союза.

11. ИНФОРМАЦИЯ ОБ УПАКОВКЕ

Упаковочные материалы холодильника изготовлены из материалов, подлежащих вторичной переработке, в соответствии с местными нормативами и правилами касательно защиты окружающей среды. Не утилизируйте упаковочные материалы вместе с бытовыми или другими отходами. Сдайте их на пункт сбора упаковочных материалов, определенный местными властями.